

RITEC – Your partner on the field of powder technology
Engineering and processing for the mineral industry, metal powders
Crushing, grinding, classifying, separating, sieving

Engineering and realisation of plants for the mechanical processing of all kind of products. RITEC plans and delivers complete plants or individual equipments. Tailor-made plant design to customer's specific requirements. New material or second-hand equipment can be offered. Advantages: low investments because of specific design according to the customer's product application and request. Also upgrading and modernisation of existing plants.



RITEC has a 30-years experience on the field of **grinding, micronisation, classifying, sieving and mixing**. Product applications: Minerals as calcium carbonate, dolomite, quartz, kaolin, zircon and other products as: ceramics, metal powders, alumina, refractors, abrasives, chemicals, pigments, foodstuffs, animal food, spices etc...

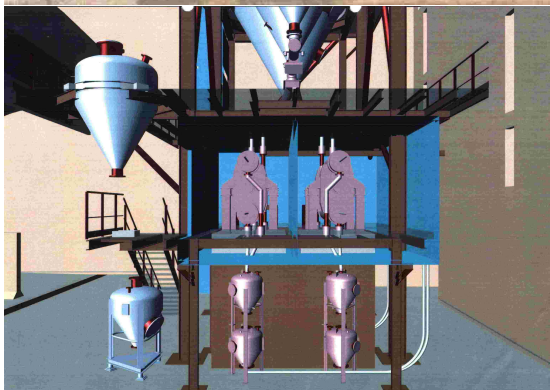
TECHNOLOGIES

- primary grinding
- desagglomeration
- fine grinding
- classifying
- sieving
- separating
- laboratory systems and particle size analysis



CONSULTING-ENGINEERING-SERVICES

- feasibility studies
- process consultancy
- extension and optimisation of existing systems
- delivery of plants and individual equipments
- second-hand machinery
- trial facilities in our test center
- toll processing
- commissioning



Our test center is at your disposal

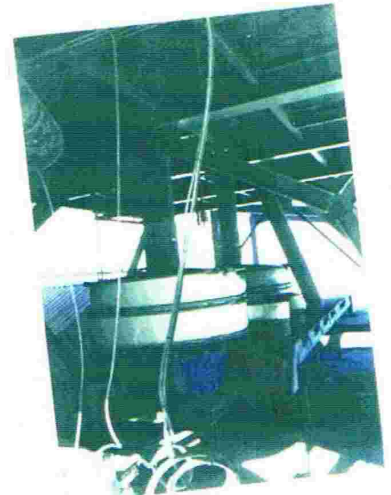
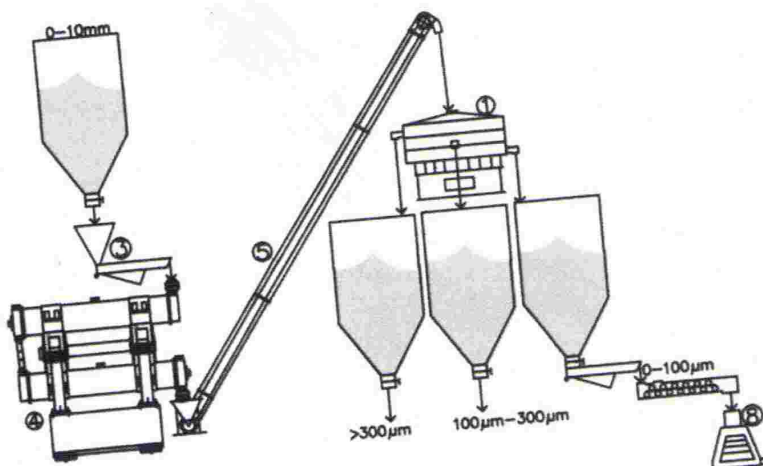
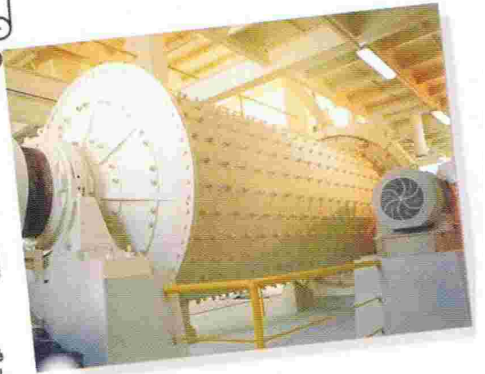
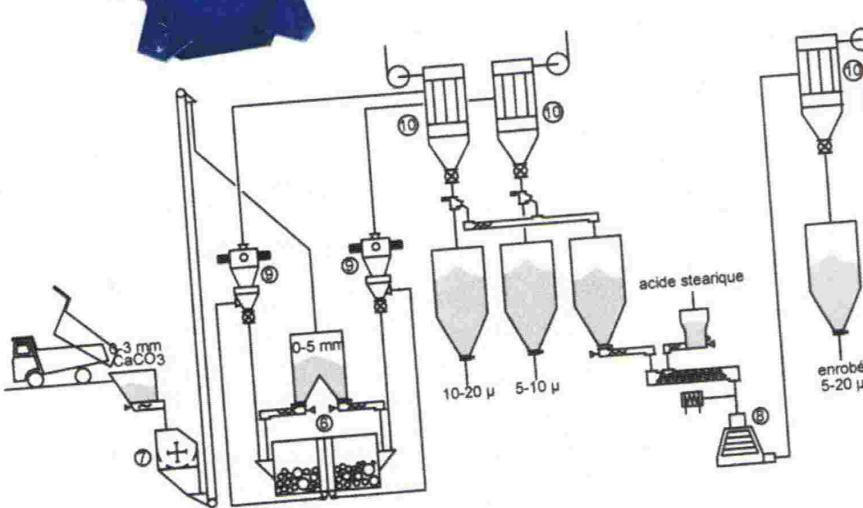
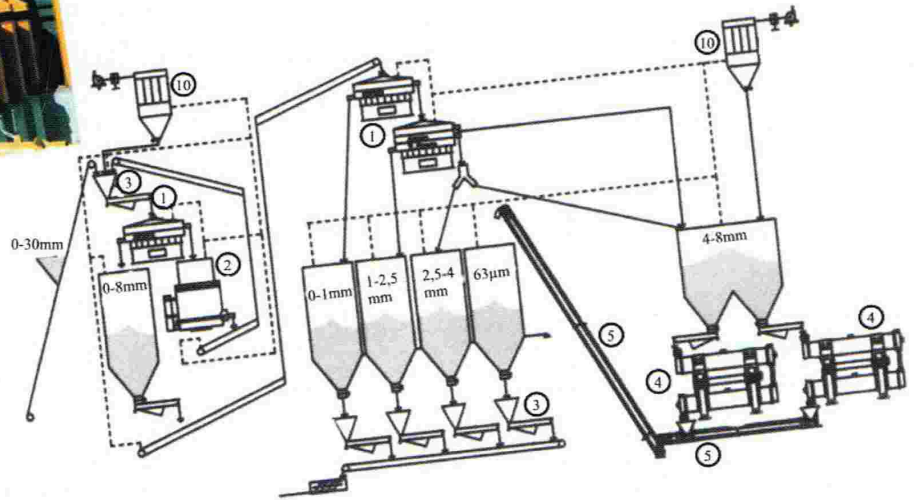


Tél +33 (0)4 94 88 30 37
Fax +33 (0)4 94 90 39 65

ZI de Signes, Av de Rome
BP 30718
F-83030 TOULON cedex 9 / France

Web : www.ritec.fr Email : ritec@wanadoo.fr

EXAMPLES OF REALISATIONS



- 1 Sieving machine
- 2 Giratory crusher
- 3 Feeder
- 4 Vibrating mill Palla
- 5 Aeromechanical conveyor
- 6 Ball mill
- 7 Hammer mill
- 8 Sackfilling
- 9 Separator
- 10 Filter

Our test center is at your disposal

RITEC

Tél +33 (0)4 94 88 30 37
Fax +33 (0)4 94 90 39 65

ZI de Signes, Av de Rome
BP 30718
F-83030 TOULON cedex 9 / France

Web : www.ritec.fr Email : ritec@wanadoo.fr