

**RITEC – Your partner on the field of powder technology
For food stuff and mineral industries**

Engineering and realisation of plants for the mechanical processing of all kind of products. RITEC plans and delivers complete plants or individual equipments. Tailor-made plant design to customer's specific requirements. New material or second-hand equipment can be offered. Advantages: low investments because of specific design according to the customer's product application and request. Also upgrading and modernisation of existing plants.



RITEC has a 30-years experience on the field of **grinding, micronisation, classifying, sieving and mixing.**



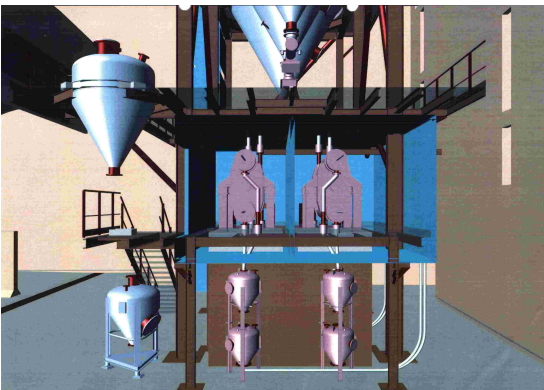
TECHNOLOGIES

- primary grinding
- desagglomeration
- fine grinding
- classifying
- sieving
- separating
- laboratory systems and particle size analysis



CONSULTING-ENGINEERING-SERVICES

- feasibility studies
- process consultancy
- extension and optimisation of existing systems
- delivery of plants and individual equipments
- second-hand machinery
- trial facilities in our test center
- toll processing
- commissioning



Our test center is at your disposal

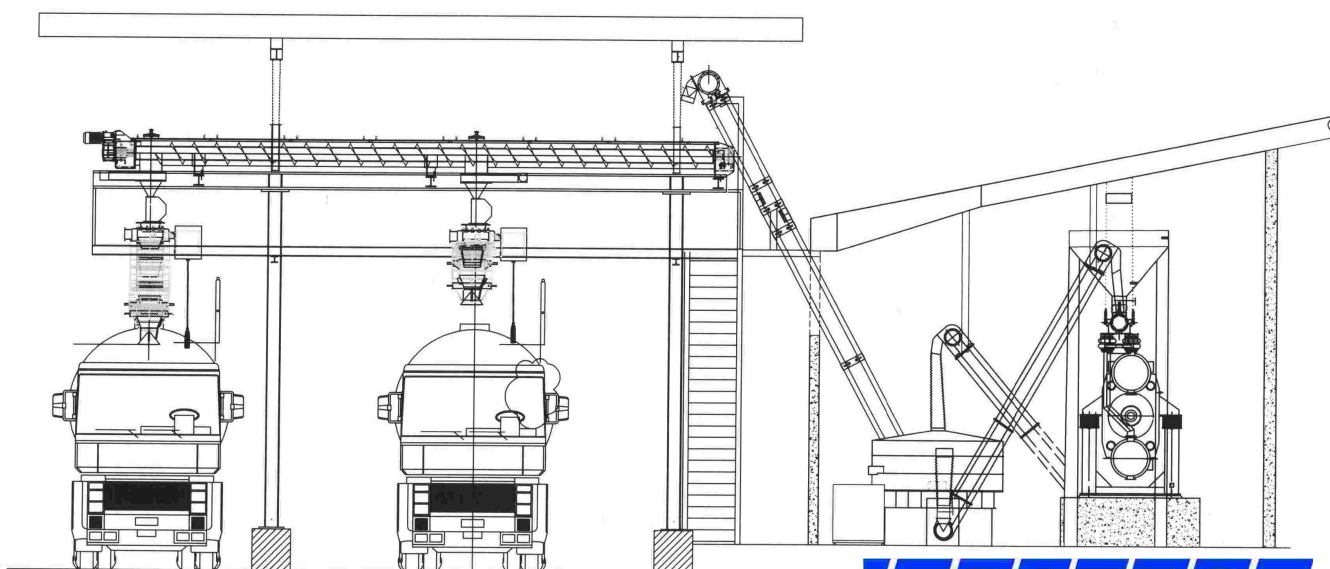
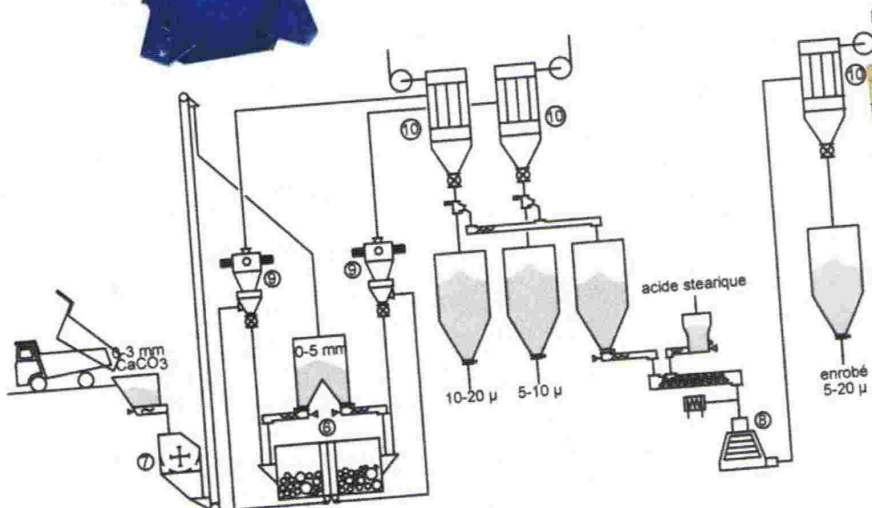
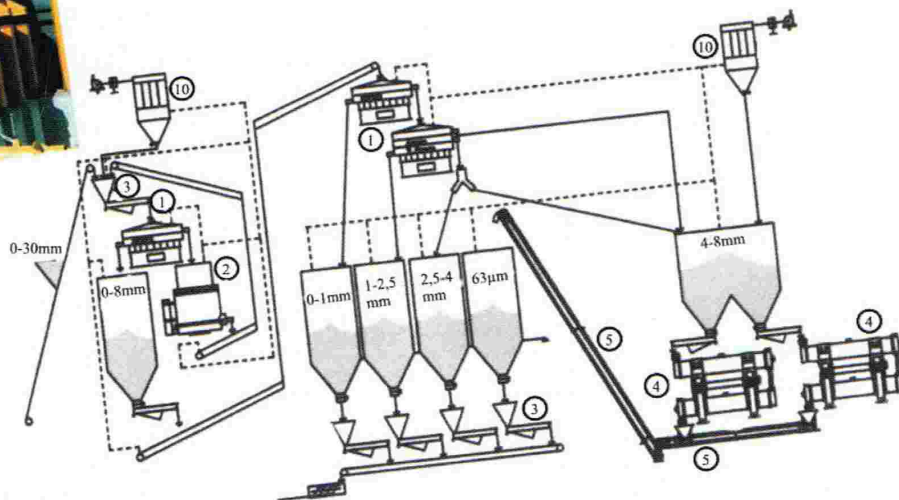


Tél +33 (0)4 94 88 30 37
Fax +33 (0)4 94 90 39 65

ZI de Signes, Av de Rome
BP 30718
F-83030 TOULON cedex 9 / France

Web : www.ritec.fr Email : ritec@wanadoo.fr

EXAMPLES OF REALISATIONS



- 1 Sieving machine
- 2 Giratory crusher
- 3 Feeder
- 4 Vibrating mill Palla
- 5 Aeromechanical conveyor
- 6 Ball mill
- 7 Hammer mill
- 8 Sackfilling
- 9 Separator
- 10 Filter

Our test center is at your disposal



Tél +33 (0)4 94 88 30 37
Fax +33 (0)4 94 90 39 65

ZI de Signes, Av de Rome
BP 30718
F-83030 TOULON cedex 9 / France

Web : www.ritec.fr Email : ritec@wanadoo.fr